

PRECIMETER

Molten metal level control

SDX-8 – Starter Dam Actuator





SDX-8 – Starter Dam Actuator

The Starter Dam Actuator SDX-8 is the ideal solution opening the gate when reached the optimal filling of the launder in front of the casting moulds. The dam provides accurate stoppage of the metal direction.

Easy to install to different types of launders. Precimeter SDX-8 is designed and produced for existing or new launder steelwork. The unique flexible mounting system allows moving the actuator to different positions.

The SDX-8 comes standard with a manual valve, but today's units are often delivered with a complete automatic system with interface to the

supervising PLC system. The automatic starter dam can also be equipped with a leveling sensor, opening the dam when a desired level in the launder is reached. The SDX-8 is ideal for your automated casting system.

SDX-8 can be supplied with stainless steel safety guards that are removable. The basic SDX-8 comes with push button control and flexible mounting rack using an air cylinder and solenoid valves. The guide system uses 4 stainless steel guides providing strong support for the dam mounting bracket.

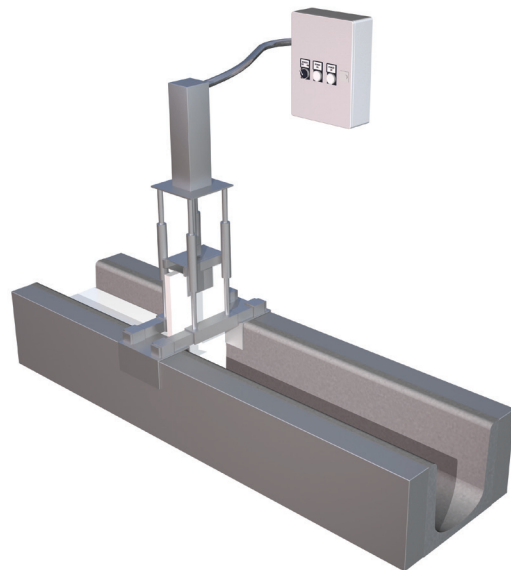
ADVANTAGES

- ✓ Pneumatic function
- ✓ Robust design
- ✓ Auto/manual mode
- ✓ Available with three stroke lengths
- ✓ Flexible mounting options

Technical Specifications

Dual acting air cylinder

Air supply	5 bar (72 psi)
Travel height	203 mm (8") Other heights possible on request.
Launder width	100-500 mm (4-20")
Power supply	120 VAC or 220 VAC
Digital output	Temperature alarm 65 °C (150 °F)



Note: Refractory dam not included.